

CHAPTER

61

PROPELLERS

CESSNA®
MODEL 208
ILLUSTRATED PARTS CATALOG

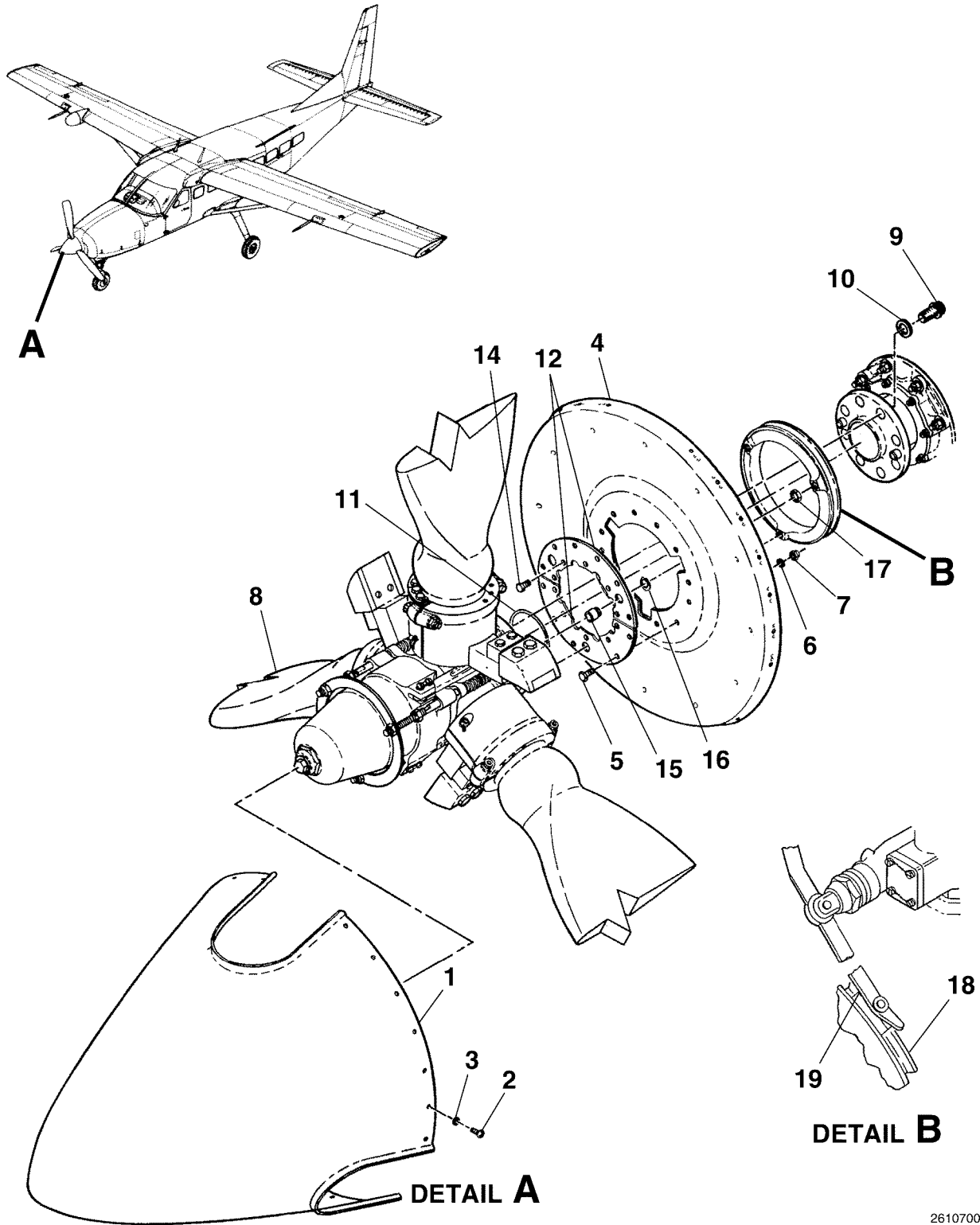
<u>CHAPTER SECTION SUBJECT</u>		<u>NUMBER OF PAGES</u>	<u>DATE</u>
61 - TITLE			
61 - LIST OF EFFECTIVE PAGES			
61 - RECORD OF TEMPORARY REVISIONS			
61 - TABLE OF CONTENTS			
61-10-00	Figure 01	2	Jun 1/2010
61-10-00	Figure 01A	2	Mar 1/2015
61-11-00	Figure 01	2	Jun 1/2013
61-20-00	Figure 01	2	Dec 1/2012
61-20-01	Figure 01	2	Sep 1/2017

CESSNA®
MODEL 208
 ILLUSTRATED PARTS CATALOG

<u>SUBJECT</u>	<u>CHAPTER SECTION SUBJECT</u>	<u>FIGURE</u>	<u>EFFECTIVITY START</u>	<u>END</u>
PROPELLER AND SPINNER INSTALLATION - HARTZELL	61-10-00	01	0001	0188
			B0001	B0217
PROPELLER AND SPINNER INSTALLATION 867HP - HARTZELL	61-10-00	01A	B5000	& ON
PROPELLER AND SPINNER INSTALLATION - MCCAULEY	61-11-00	01	0189	& ON
			B0218	& ON
BETA INDICATING SYSTEM - PROPELLER	61-20-00	01	0001	0499
			B0205	B1999
			0500	& ON
			B2000	& ON
PROPELLER OVERSPEED GOVERNOR INSTALLATION	61-20-01	01		

CESSNA®
MODEL 208
ILLUSTRATED PARTS CATALOG

A24580



PROPELLER AND SPINNER INSTALLATION 675HP - HARTZELL
FIGURE 01 (SHEET 1)

26107002
A26533001
B26532001

CESSNA®
MODEL 208
ILLUSTRATED PARTS CATALOG

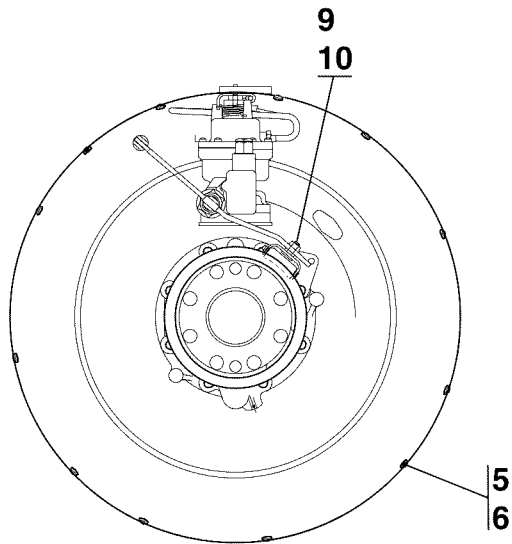
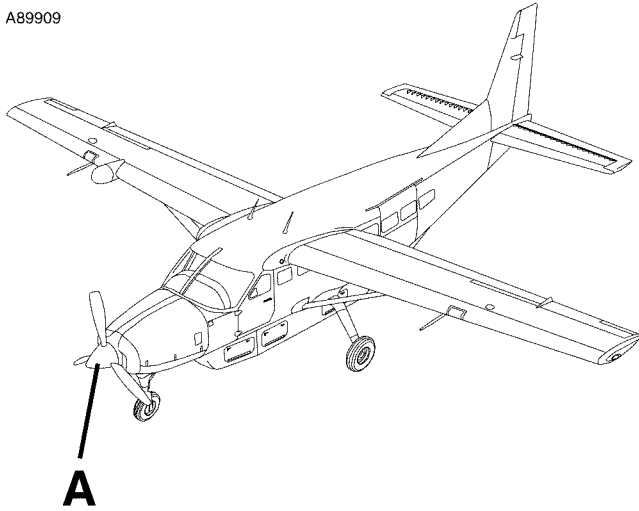
FIG ITEM	PART NUMBER	NOMENCLATURE	UNITS PER ASSY		
			1	2	3
01		PROPELLER AND SPINNER INSTALLATION 675HP - HARTZELL REFER TO		0001	0188
-		NOTE 2		B0001	B0217
1	D4898P	. DOME-PROPELLER REFER TO NOTE 1 V24692			01
		. ATTACHING PARTS			
2	AN526C1032R8	. SCREW			21
3	A1020	. WASHER-FIBRE V24692			21
		—*—			
4	D4899	. BULKHEAD ASSY-SPINNER REFER TO NOTE 1 V24692			01
5	AN4-5A	. BOLT			12
6	NAS1149F0463P	. WASHER			12
7	H10-4	. NUT V15653			12
8	HC-B3MN3/M10083	. PROPELLER ASSY-3 BLADED HARTZELL			01
		. ATTACHING PARTS			
9	B3339	. BOLT-12 POINT V24692			08
10	A2048	. WASHER V24692			08
		—*—			
11	PRP909-8	. SEAL-O-RING V24692			01
12	C3003-2	. SUPPORT-SPINNER BULKHEAD V24692			01
- 13	C3002	. SUPPORT-SPINNER BULKHEAD ALT FOR C3003-2 V24692			01
		. ATTACHING PARTS			
14	A2051	. BOLT V24692			10
		—*—			
15	A3067-2	. GUIDE LUG-LOW STOP ROD V24692			03
16	S5100-56	. RING-RETAINING			03
17	A3439	. NUT-JAM V24692			03
18	B3001-2	. COLLAR-LOW STOP V24692			01
19	A3044	. BRUSH BLOCK-PROPELLER V24692			01

NOTE 1—WHEN INITIALLY REPLACING SPINNER DOME OR BULKHEAD ASSY FOR SERIALS FY-1 THRU FY-30 (FOUND ON FORWARD FACING SURFACE OF BULKHEAD) BOTH PARTS MUST BE ORDERED.

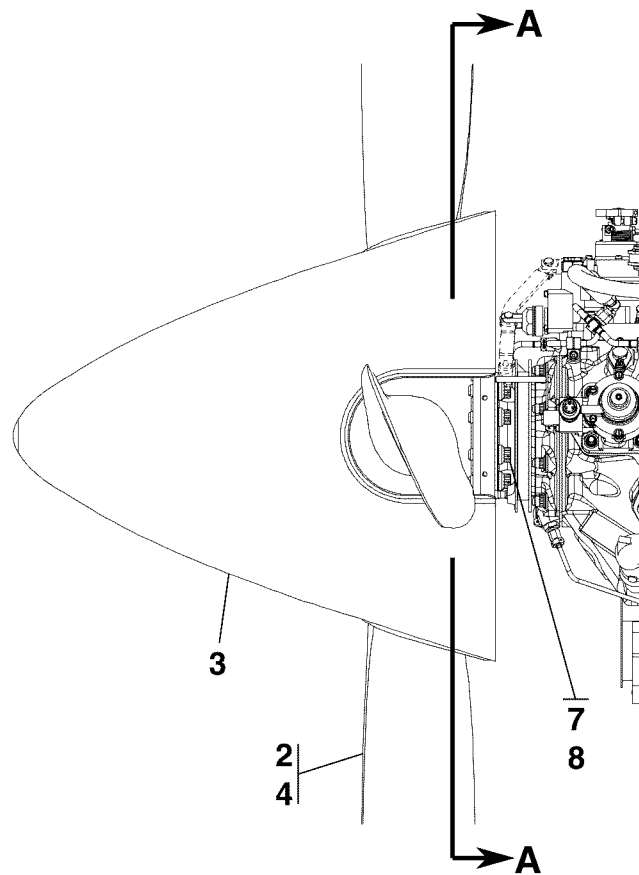
NOTE 2—AIRPLANES NOT INCORPORATING CAB90-20.

CESSNA®
MODEL 208
ILLUSTRATED PARTS CATALOG

A89909



VIEW A-A



**← FWD
DETAIL A**

2610T7004
A2650T1013
AA2650T1013

**PROPELLER AND SPINNER INSTALLATION 867HP - HARTZELL
FIGURE 01A (SHEET 1)**

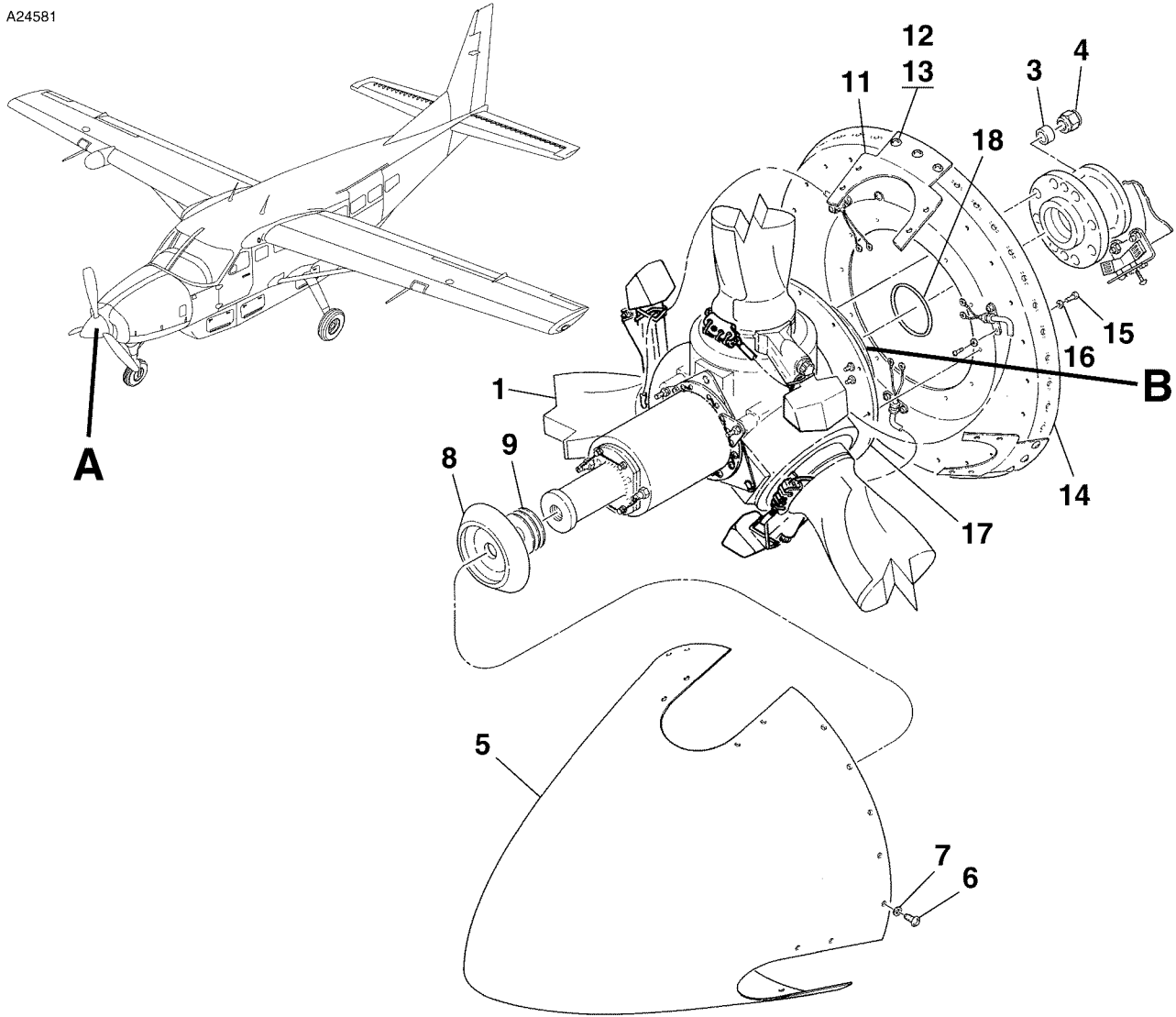
CESSNA®
MODEL 208
 ILLUSTRATED PARTS CATALOG

FIG ITEM	PART NUMBER	NOMENCLATURE	UNITS	
			PER	ASSY
01A				
-		PROPELLER AND SPINNER INSTALLATION 867HP - HARTZELL	B5000	& ON RF
- 1	B3N21050S	. PROPELLER AND SPINNER ASSEMBLY V24692		01
- 1A	B3N21100S	. PROPELLER AND SPINNER ASSEMBLY-TKS V24692	B5009	& ON 01
2	HC-B3TN-3AF	. . PROPELLER-HARTZELL V24692		01
3	D-4897	. . SPINNER ASSEMBLY V24692		01 R
- 3A	D-4897P	. . SPINNER ASSEMBLY-POLISHED V24692		01 R
4	T10890CN-2	. . BLADE V24692		01
- 4A	T10890CNB-2	. . BLADE-USED WITH TKS V24692		01
- 4B	D-4898-P	. . DOME-USED WITH TKS V24692		01
5	B-3384-4H	. . BOLT V24692		12
6	B-3851-0432	. . WASHER V24692		12
7	B-3339	. . BOLT V24692		08
8	A-2048-2	. . WASHER V24692		08
9	A-3044	. . BLOCK-BETA FEEDBACK ASSEMBLY V24692		01
10	C-3317-230	. . O-RING V24692		01

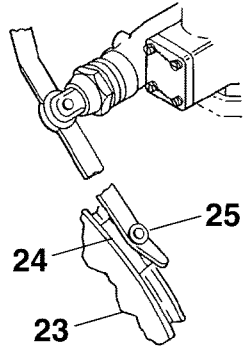
- ITEM NOT ILLUSTRATED

CESSNA®
MODEL 208
ILLUSTRATED PARTS CATALOG

A24581



DETAIL A



DETAIL B

PROPELLER AND SPINNER INSTALLATION - MCCAULEY
FIGURE 01 (SHEET 1)

2610T7004
A2650R2001
B2553R2001

CESSNA®
MODEL 208
ILLUSTRATED PARTS CATALOG

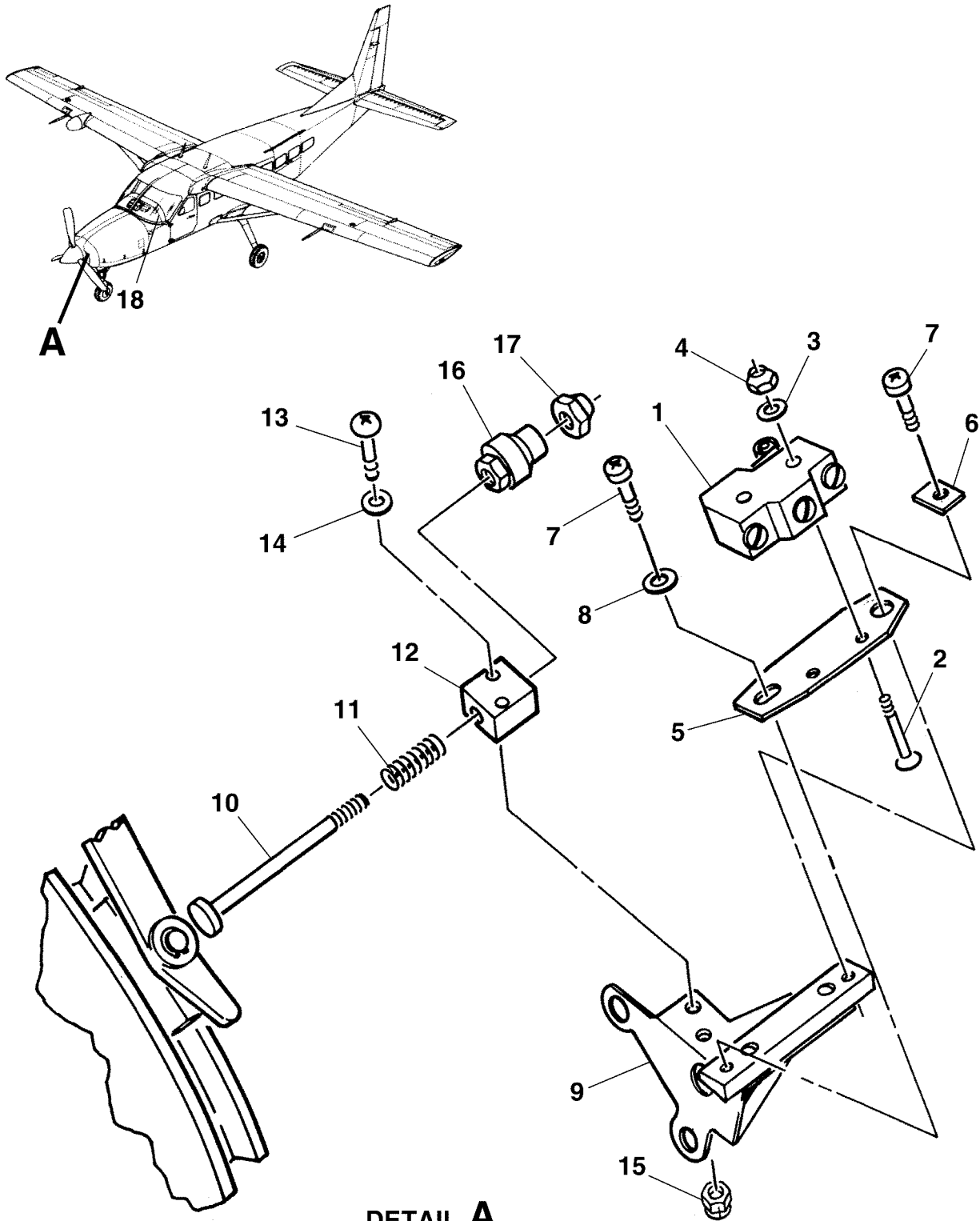
FIG ITEM	PART NUMBER	NOMENCLATURE	UNITS PER ASSY		
			1	2	3
01		PROPELLER AND SPINNER INSTALLATION - MCCAULEY REFER TO NOTE 1	0189	& ON	RF
-			B0218	& ON	
1	P7036368-01	. PROPELLER ASSY-NON DEICED MCCAULEY	0189	0395	01 R
			B0218	B1170	
- 2	P7036368-0154	. PROPELLER ASSY-DE-ICED MCCAULEY REFER TO NOTE 2	0189	& ON	01 R
			B0218	& ON	
- 2A	P7036368-0254	. PROPELLER ASSY-DE-ICED MCCAULEY WITH OPT PAINT REFER TO NOTE 2.	B0287	B1170	01 R
		ATTACHING PARTS			
3	B5096	. SPACER V76275			08
4	A1639-32	. NUT V76275			08
		—*—			
5	E6389	. SHELL-SPINNER V76275			01
		ATTACHING PARTS			
6	A1635-133	. SCREW V76275			30
7	A1638-5	. WASHER V76275			30
		—*—			
8	B4864	. SUPPORT-SPINNER V76275			01
9	B4940-1	. SHIM-SPINNER SUPPORT V76275			AR
- 10	B4940-2	. SHIM-SPINNER SUPPORT V76275			AR
11	C-6390	. FILLET ASSY V76275			03
		ATTACHING PARTS			
12	A1635-133	. SCREW V76275			03
13	A1638-5	. WASHER V76275			03
		—*—			
14	E6391	. BULKHEAD ASSY-SPINNER.			01
		ATTACHING PARTS			
15	A1635-36	. SCREW V76275			12
16	A1638-20	. WASHER V76275			12
		—*—			
17	D6398	. MOUNTING PLATE-BULKHEAD USED WITH 9910587-201 ONLY			01
18	A1633-72	. O-RING-HUB TO PROPELLER SHAFT V76275			01
		ATTACHING PARTS			
- 19	AN970-3	. WASHER-BALANCE 11 MAXIMUM			AR
- 20	AN502-10-XX	. SCREW 18 MAXIMUM LENGTH			AR
- 21	NAS1149F0332P	. WASHER			AR
- 22	AN365-1032	. NUT			AR
		—*—			
23	C5518	. FEEDBACK COLLAR ASSY V76275			01
24	B5121	. FEEDBACK BEARING ASSY V76275			01
25	A1636-36	. RETAINING RING V76275			01

NOTE 1—AIRPLANES -0001 THRU -0188 AND -B0001 THRU -B0217 INCORPORATING CAB90-20.

NOTE 2—REFER TO 30-60-00 FIGURE 02 FOR DE-ICE COMPONENT.

CESSNA®
MODEL 208
ILLUSTRATED PARTS CATALOG

A24582



DETAIL A

BRAZILIAN AND BRITISH CERTIFIED AIRPLANES

BETA INDICATING SYSTEM - PROPELLER
FIGURE 01 (SHEET 1)

26142028
A26142029
B26141058

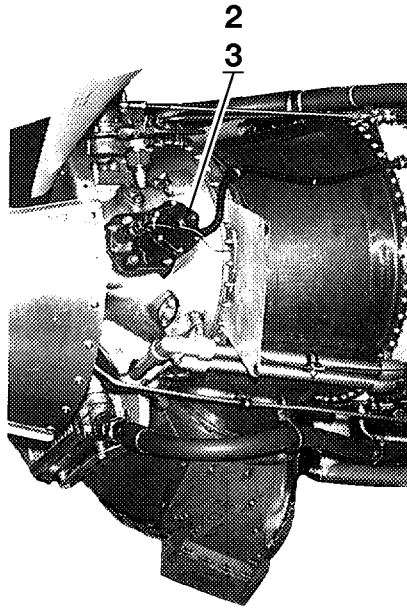
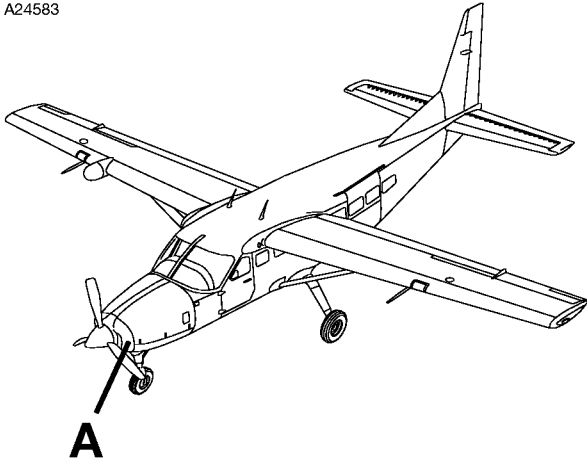
CESSNA®
MODEL 208
 ILLUSTRATED PARTS CATALOG

FIG ITEM	PART NUMBER	NOMENCLATURE	UNITS PER ASSY		
			1	2	3
01		BETA INDICATING SYSTEM - PROPELLER - REFER TO NOTE 1 AND NOTE 2	0001	0499	RF R
-			B0205	B1999	
			0500	& ON	
			B2000	& ON	
1	BZ2RW8225551T	. SWITCH-BETA SN004 V91929			01
		. ATTACHING PARTS			
2	MS24693-S10	. SCREW			02
3	NAS1149F0463P	. WASHER			02
4	MS21044N04	. NUT			02
		—*—			
5	5950017-4	. PLATE			01
6	5950017-5	. PLATE-AFT			01
		. ATTACHING PARTS			
7	MS35206-228	. SCREW			02
8	NAS1149FN632P	. WASHER-FWD			01
		—*—			
9	5950040-8	. BRACKET ASSY-BETA SWITCH			01
10	5950017-7	. PLUNGER ASSY-BETA SWITCH			01
11	LC020C13	. SPRING V84830			01
12	5950017-23	. BLOCK			01
		. ATTACHING PARTS			
13	MS35206-233	. SCREW			02
14	NAS1149FN632P	. WASHER			02
15	MS21042L06	. NUT			02
		—*—			
16	5950017-8	. CAM			01
17	AN315-3	. JAMNUT			01
18		. LIGHT ASSY-ANNUNCIATOR REFER TO 33-10-00 FIGURE 02			RF
		NOTE 1—USED ON BRAZILIAN CERTIFIED AIRCRAFT -0001 THRU -0499 AND -B0205 THRU -B1999.			R
		NOTE 2—USED ON BRITISH CERTIFIED AIRCRAFT -0238 THRU -0499 AND -B0365 THRU -B1999			R

- ITEM NOT ILLUSTRATED

CESSNA®
MODEL 208
ILLUSTRATED PARTS CATALOG

A24583



2610T7005
A2650P6002

PROPELLER OVERSPEED GOVERNOR INSTALLATION
FIGURE 01 (SHEET 1)

CESSNA®
MODEL 208
 ILLUSTRATED PARTS CATALOG

FIG ITEM	PART NUMBER	NOMENCLATURE	UNITS PER ASSY	
			1 2 3 4 5 6 7	
01		PROPELLER OVERSPEED GOVERNOR INSTALLATION		RF
-				
- 1	A210507	. GOVERNOR-PROPELLER OVERSPEED FSO 210792	0001	0136 NP
			B0001	B0105
- 1A	D210507	. GOVERNOR-PROPELLER OVERSPEED ALT FOR 210792	0137	& ON 01 R
			B0106	B4999
2	210792	. GOVERNOR-PROPELLER OVERSPEED SPARES AND ALT FOR D210507 . .		01
3	MS206685	. GASKET-PROPELLER OVERSPEED GOVERNOR		01

- ITEM NOT ILLUSTRATED